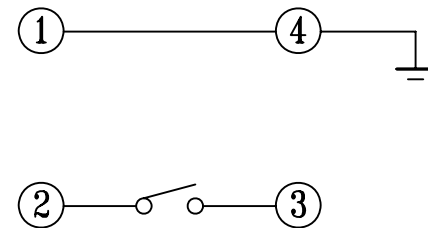
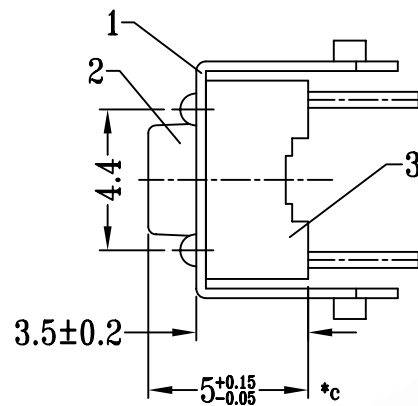
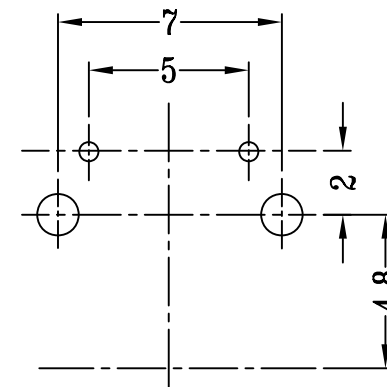
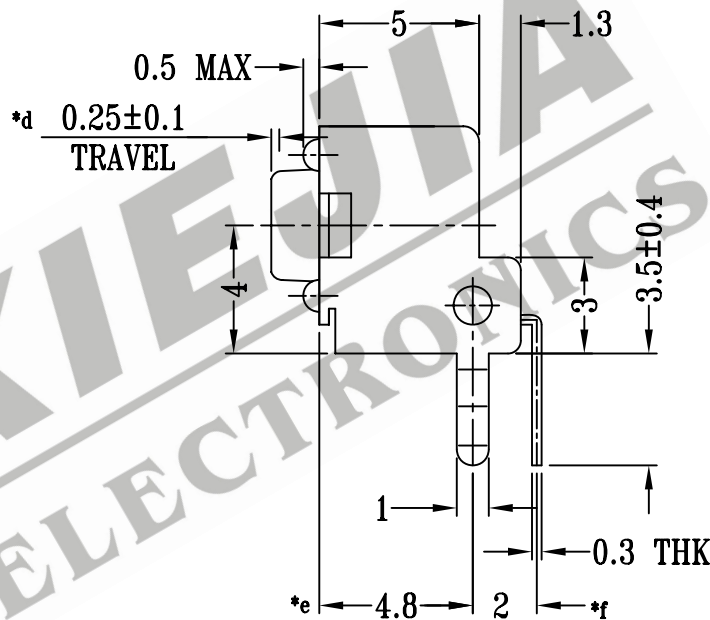
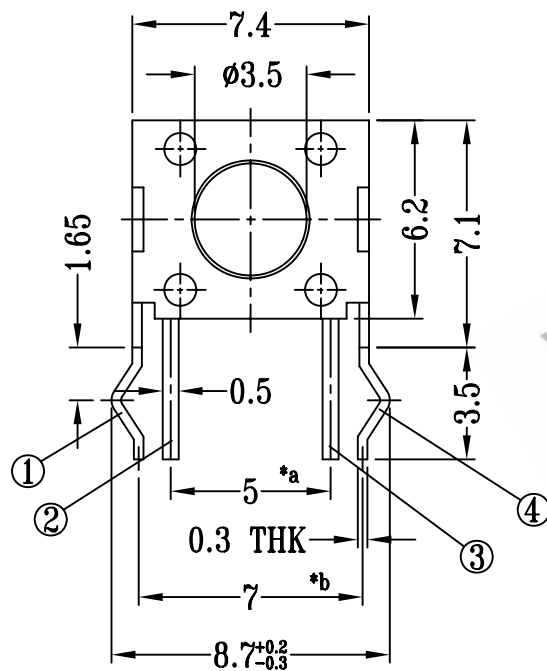


CAD FILE:



SCHEMATIC



P.C.B LAYOUT

注:带"*"表示关键尺寸(6个)

8					TOLERANCE	SHENZHEN XIEJIA ELECTRONICS CO.,LTD.						
7					UNLESS SPECIFIED							
6					WITHIN: 1.5±0.1mm	ISSUE	DATE	DESCRIPTIONS		APPD.		
5					OVER : 1.5±0.2mm							
4	CONTACT CLIP	PBS	1	Ag CLAD	TITLE : TACT SWITCH			UNIT : MM		DRWG NO.: XJ-DR-TC2303-00		
3	CASE	NYLON+F.G/BRASS STRIP	1	BLACK/Ag PLATED OVER Ni PLATED				MODEL: TC-2303			SCALE: 4 : 1	
2	KNOB	NYLON+F.G	1	BLACK	ALL MATERIALS MUST BE COMPLIANT TO ROHS						APPD.	
1	COVER	ZINC PLATE	1	WASHING				APPD.		KANGXINAN	2004-10-17	
NO.	PART NAME	MATERIAL	Q'TY	FINISHING								